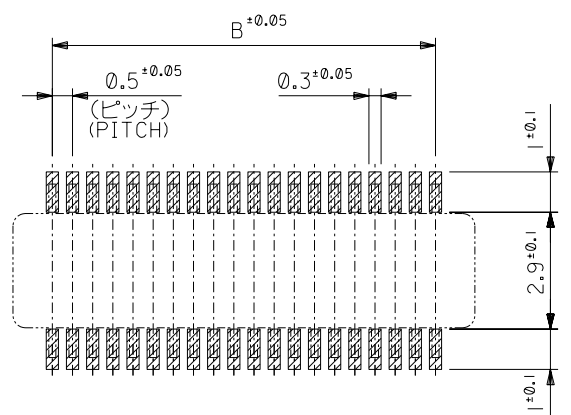
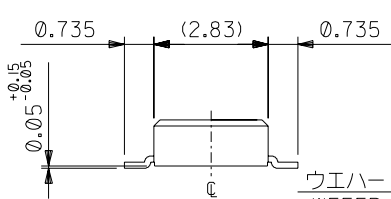
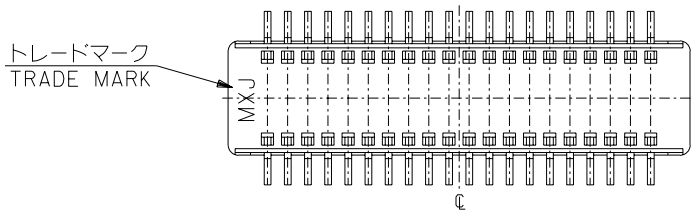
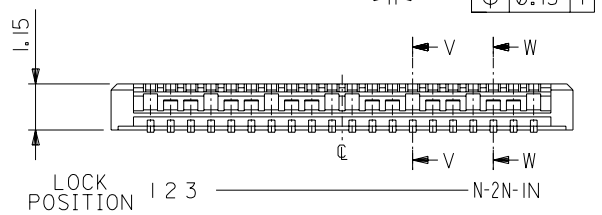
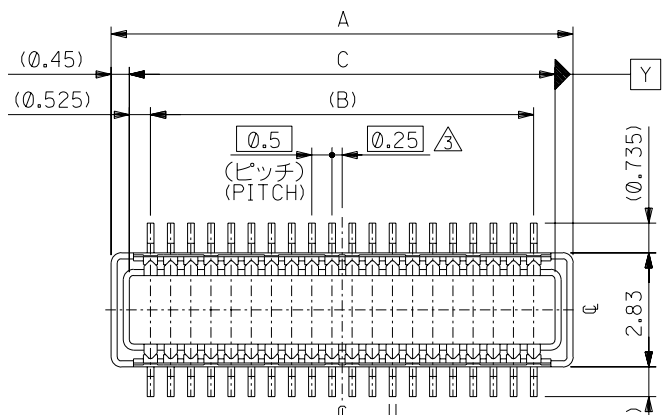
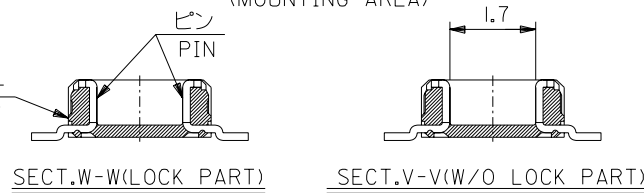


DWG. NO. SD-55560-006



参考基板レイアウト (マウント面)
P.C. BOARD PATTERN
DIMENSION (REF.)
(MOUNTING AREA)



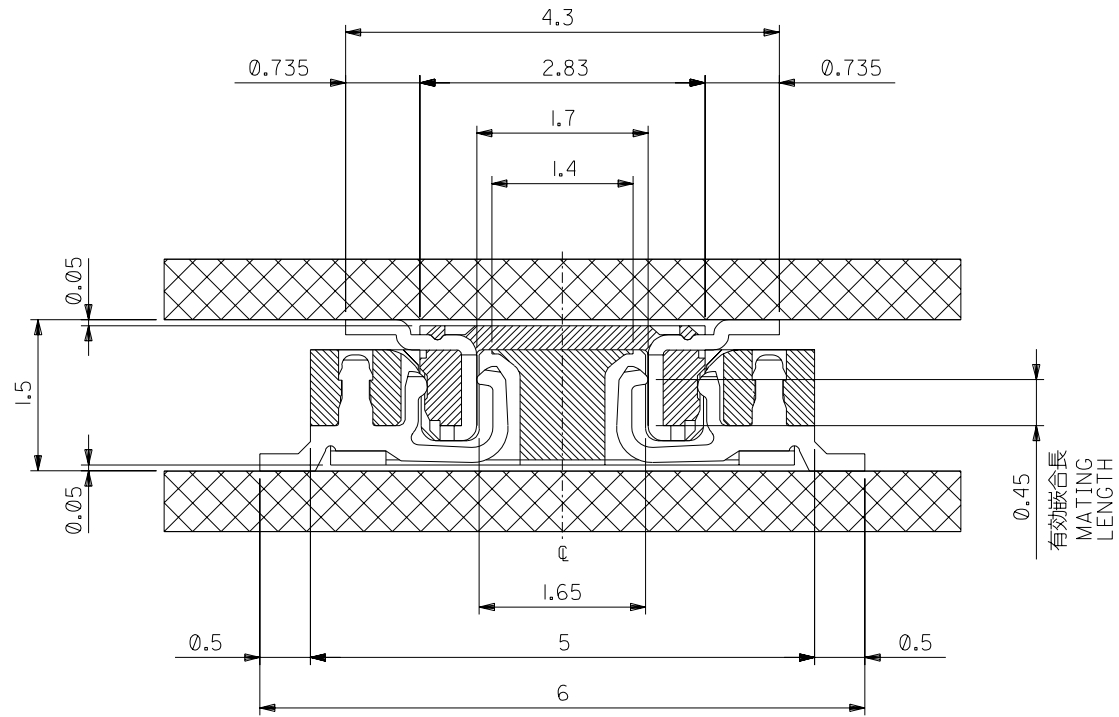
NON	20.55	19.5	21.45	55560-0801	80
10,21	15.55	14.5	16.45	-0601	60
2,4,8,10,16,18,22,24	13.05	12.0	13.95	-0501	50
2,4,8,10,14,16,20,22	12.05	11.0	12.95	-0461	46
2,3,5,6,8,9,12,13,15,16,18,19	10.55	9.5	11.45	-0401	40
2,3,4,5,7,8,9,10,11,13,14,15,16	9.05	8.0	9.95	-0341	34
ALL	8.05	7.0	8.95	-0301	30
	6.55	5.5	7.45	-0241	24
	6.05	5.0	6.95	-0221	22
	5.55	4.5	6.45	-0201	20
4.55	3.5	5.45	55560-0161	16	
LOCK POSITION	C	B	A	MATERIAL NO.	極数 CIRCUIT

DO NOT SCALE DRAWING

64 NO. DRWN: CH'K: APPR: 63 NO. DRWN: CH'K: APPR: REVISED 62 NO. J2003-2517 DRWN: S.AIHARA '03/03/31 CH'K: M.SASAO APPR: M.SASAO G REVISED 61 NO. J2003-1929 DRWN: T.YASUI '03/11/23 CH'K: T.IITO APPR: T.IITO F REVISED 60 NO. J2003-1468 DRWN: T.YASUI '02/11/25 CH'K: T.IITO APPR: T.YAMAGUCHI E REV DESCRIPTION MATERIAL 材料 FINISH 仕上げ WIRE RANGE 適用線径範囲 INS. RANGE 被覆外径	注記参照 SEE NOTES // // //
---	-------------------------------------

GENERAL TOLERANCES: (UNLESS SPECIFIED) 一般公差 10 UNDER 未満 ±0.2 10 OVER 30 UNDER 未満 ±0.25 30 OVER 以上 ±0.3 ANGLE 角度 ±3°	MODEL NO. 55560-***I SCALE 1:1 DESIGN UNITS <input checked="" type="checkbox"/> mm <input type="checkbox"/> INCH DRAWN BY & DATE S.AIHARA '00/10/5 CHECKED BY & DATE M.SASAO '03/03/31 APPROVED BY & DATE M.SASAO '03/03/31 CAD FILENAME 55560006.S01	DIMENSIONS: <input type="checkbox"/> mm <input type="checkbox"/> INCH <input checked="" type="checkbox"/> mm ONLY SHT REVISION CAD ONLY	TITLE: 0.5 B-To-B Conn PLUG Assy(Hgt=1.5mm)	MOLEX MOLEX INCORPORATED MATERIAL NO. SEE CHART DRAWING NO. SD-55560-006 SHEET NO. 1 OF 2 SIZE B
---	--	--	--	--

THIS DRAWING CONTAINS INFORMATION THAT IS PROPRIETARY TO MOLEX INCORPORATED AND SHOULD NOT BE USED WITHOUT WRITTEN PERMISSION.



嵌合断面図 (参考)
MATED DRAWING (REF.)

注記 NOTES:

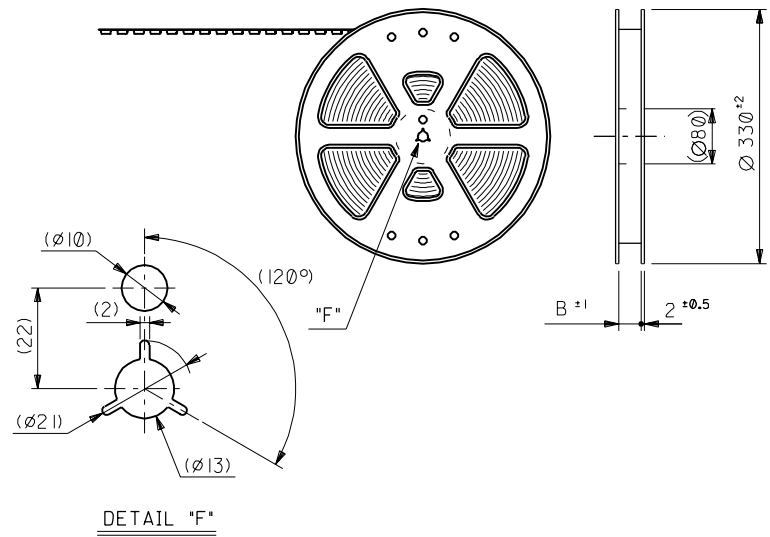
1. 使用材料 MATERIAL
 ウェハー : 液晶ポリマー ガラス充填 ,UL94V-0 (黒)
 WAFER : LIQUID CRYSTAL POLYMER (GLASS FILLED), UL94V-0 (COLOR:BLACK)
 ピン : 黄銅 (t=0.15)
 PIN : BRASS (t=0.15)
2. メッキ仕様 PLATING
 金メッキ 0.25 MICROMETER MINIMUM (コンタクト部)
 GOLD 0.25 MICROMETER MINIMUM (CONTACT AREA).
 金メッキ 0.4 MICROMETER MAXIMUM (テール部)
 GOLD 0.4 MICROMETER MAXIMUM (TAIL AREA).
 下地メッキ : ニッケルメッキ 1.5 MICROMETER MINIMUM
 UNDER PLATING : NICKEL 1.5 MICROMETER MINIMUM.
3. (全極数/2) = 偶数の場合に適用。
 APPLY FOR (CIRCUIT/2)=EVEN.
4. 嵌合相手 : 54722 シリーズ, 54037 シリーズ
 MATE WITH : 54722 SERIES, 54037 SERIES.
5. テール平坦度は, 0.1 MAXIMUM
 TAIL COPLANARITY TO BE 0.1 MAXIMUM.

DO NOT SCALE DRAWING

064 NO. DRWN: CH'K: APPR:	063 NO. DRWN: CH'K: APPR:	REVISED 062 NO. J2003-2517 DRWN: S.AIHARA '03/03/31 CH'K: M.SASAO APPR: M.SASAO	REVISED 061 NO. J2003-1929 DRWN: T.YASUJI '03/11/23 CH'K: T.IITO APPR: T.IITO	REVISED 060 NO. J2003-1468 DRWN: T.YASUJI '02/11/25 CH'K: T.IITO APPR: T.YAMAGUCHI	MATERIAL 材料 注記参照 SEE NOTES	GENERAL TOLERANCES: (UNLESS SPECIFIED) 一般公差 10 UNDER 未満 30 UNDER 未満 30 OVER 以上 ANGLE 角度	SCALE DESIGN UNITS <input checked="" type="checkbox"/> mm <input type="checkbox"/> INCH PROJECTION 2D DRAWN BY & DATE S.AIHARA '00/10/5 CHECKED BY & DATE M.SASAO '03/03/31 APPROVED BY & DATE M.SASAO '03/03/31 CAD FILENAME 55560006.S02	MODEL NO. 55560-***1 DIMENSIONS: <input type="checkbox"/> mm <input type="checkbox"/> INCH <input checked="" type="checkbox"/> mm ONLY SHT REV 2 OF 2 CAD ONLY	TITLE: 0.5 B-To-B Conn PLUG Assy(Hgt=1.5mm)	MOLEX MOLEX INCORPORATED	MATERIAL NO. SEE CHART DRAWING NO. SD-55560-006 SHEET NO. 2 OF 2 SIZE B

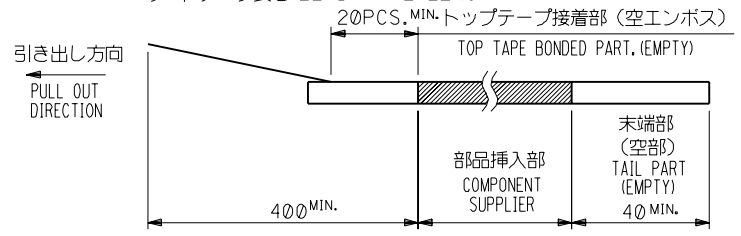
DWG. NO. SD-55560-008

引き出し方向
PULL OUT DIRECTION

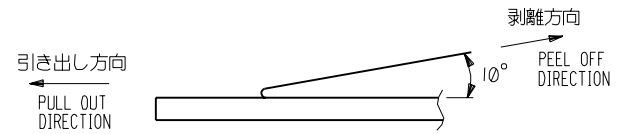


NOTES

- 製品詳細寸法については図面 SD-55560-006 を参照下さい。
RE DETAILED DIMENSION, SEE SD-55560-006
- 梱包数量：2000個/リール
NUMBER OF CONNECTORS：2000PCS/REEL
- リードテープ長さ LEAD TAPE LENGTH



- トップテープの剥離強度：0.1N ~ 0.7N(10.2gf ~ 71.4gf)
(剥離方向は下図参照)
尚、本規格値は出荷時に適用。(但し、輸送時に剥離が発生しないこと。)
PEELING OFF FORCE OF TOP TAPE：0.1N ~ 0.7N(10.2gf ~ 71.4gf)
(PEELING DIRECTION AS SHOWN IN FOLLOWING FIG.)
THIS REQUIREMENT SHOULD BE APPLIED AT SHIPMENT.
PEEL OFF SHOULD NOT BE ALLOWED, DURING TRANSPORTATION.



- 材料 キャリアテープ：ポリプロピレン (PP)
トップテープ：PET, PE, PEF
リール：ポリスチレン (PS) <リサイクル材を含む>

MATERIAL CARRIER TAPE:POLYPROPYLENE
TOP TAPE:PET,PE,PEF
REEL:POLYSTYREN(PS)
<RECYCLE MATERIAL CONTAINED>

DO NOT SCALE DRAWING

④NO. DRWN: CHK: APPR:	③NO. DRWN: CHK: APPR:	②NO. DRWN: CHK: APPR:	REVISED ①NO. JC2001-0604 DRWN: R.SHINA 00/01/30 CHK: T.IITO APPR: M.FUKUSHIMA	PROPOSED ①NO. JC2001-0402 DRWN: S.AIHARA 00/11/28 CHK: T.IITO APPR: M.FUKUSHIMA	MATERIAL 材料 注記参照 SEE NOTES	GENERAL TOLERANCES: (UNLESS SPECIFIED) 一般公差	SCALE 1/1	MODEL NO. 55560-***8	DIMENSIONS: <input type="checkbox"/> mm <input type="checkbox"/> INCH <input checked="" type="checkbox"/> mm ONLY	SHT REV
			FINISH 仕上げ	WIRE RANGE 適用線径範囲	INS. RANGE 被覆外径	10 UNDER 未滿 10 OVER 以上 30 UNDER 未滿 30 OVER 以上	10 UNDER 未滿 10 OVER 以上 30 UNDER 未滿 30 OVER 以上	DRAWN BY & DATE S.AIHARA 00/11/28 CHECKED BY & DATE T.IITO 01/01/30 APPROVED BY & DATE M.FUKUSHIMA 01/01/30	CAD FILENAME 55560008.S01	MATERIAL NO. SEE CHART

THIS DRAWING CONTAINS INFORMATION THAT IS PROPRIETARY TO MOLEX INCORPORATED AND SHOULD NOT BE USED WITHOUT WRITTEN PERMISSION.

DWG. NO. SD-55560-008

E

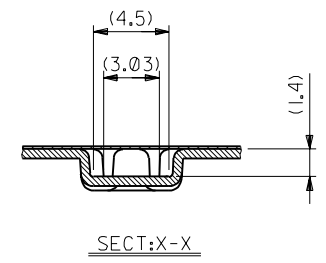
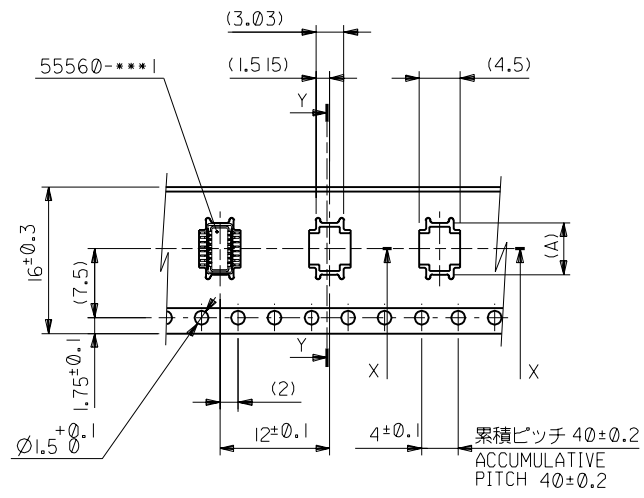
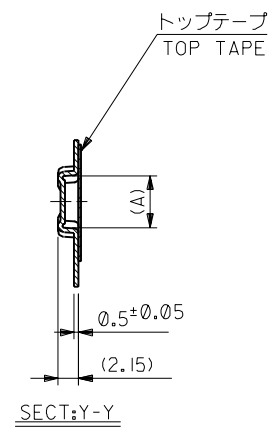
D

C

B

DO NOT SCALE DRAWING

引き出し方向
PULL OUT
DIRECTION



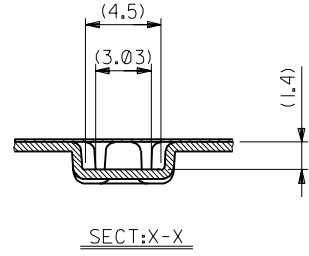
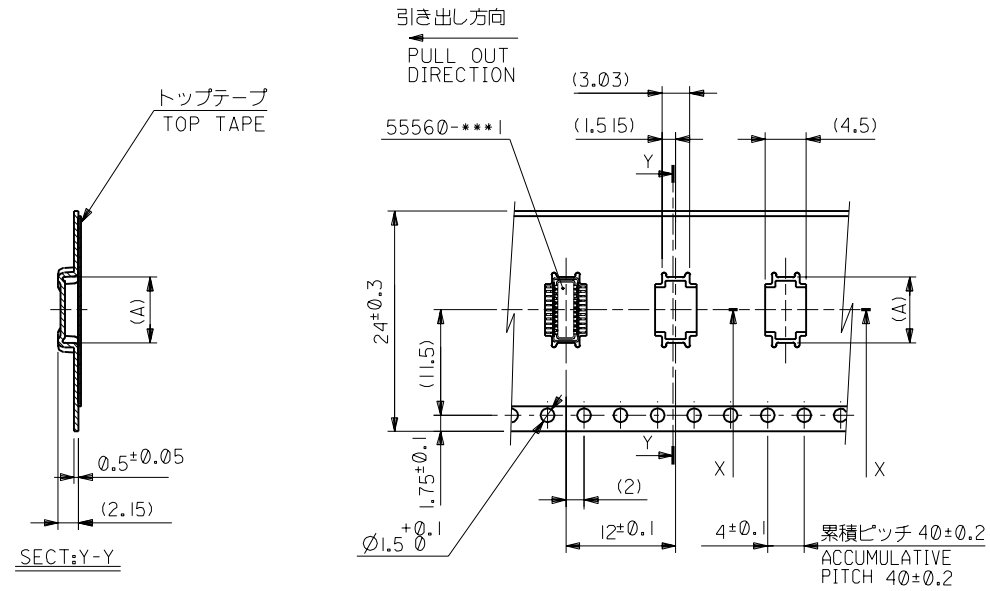
16mm幅キャリアテープ
16mm WIDTH CARRIER TAPE

16	17.5	5.65	55560-0168	16
キャリアテープ幅 CARRIER TAPE WIDTH			B	(A)
			MATERIAL NO.	種数 CIRCUIT
MODEL NO.		55560-***8		DIMENSIONS:

① ② ③ ④ ⑤ ⑥ ⑦ ⑧	REVISED ① JC2001-0604 DRWN: R.SHIINA '01/01/20 CHK: T.ITO APPR: M.FUKUSHIMA PROPOSED ② JC2001-0402 DRWN: S.AIHARA '00/11/28 CHK: T.ITO APPR: M.FUKUSHIMA	MATERIAL 材料 SHEET 1 OF 3 参照 REFER TO SHEET 1 OF 3 FINISH 仕上げ // WIRE RANGE 適用線径範囲 // INS. RANGE 被覆外径 //
--------------------------------------	---	---

GENERAL TOLERANCES: (UNLESS SPECIFIED) 一般公差		SCALE //	DESIGN UNITS <input checked="" type="checkbox"/> mm <input type="checkbox"/> INCH	PROJECTION <input checked="" type="checkbox"/> FIRST ANGLE	REVISIONS <input type="checkbox"/> mm <input type="checkbox"/> INCH <input checked="" type="checkbox"/> mm ONLY	REVISE ON CAD ONLY
10 UNDER 未満	+0.2	DRAWN BY & DATE S.AIHARA '00/11/28	TITLE: 0.5 B-To-B Conn PLUG Assy (Hgt=1.5) Embstp Pkg			
10 OVER 以上	30 UNDER 未満	+0.25	CHECKED BY & DATE T.ITO '01/01/30	APPROVED BY & DATE M.FUKUSHIMA '01/01/30		
30 OVER 以上	+0.3	ANGLE 角度	+3°	CAD FILENAME 55560008.S02		

MATERIAL NO. 55560008.S02		DRAWING NO. SEE CHART SD-55560-008		SHEET NO. 2 OF 3	
MOLEX INCORPORATED THIS DRAWING CONTAINS INFORMATION THAT IS PROPRIETARY TO MOLEX INCORPORATED AND SHOULD NOT BE USED WITHOUT WRITTEN PERMISSION.					
				SIZE B	



24mm幅キャリアテープ
24mm WIDTH CARRIER TAPE

24	25.5	7.15	55560-0228	22
キャリアテープ幅 CARRIER TAPE WIDTH		B	(A)	種数 CIRCUIT
MODEL NO.	55560-***8		DIMENSIONS:	

④NO. DRWN: CHK: APPR:	③NO. DRWN: CHK: APPR:	②NO. DRWN: CHK: APPR:	①NO. JC2001-0604 DRWN: R.SHINA '01/01/30 CHK: T.IITO APPR: M.FUKUSHIMA PROPOSED ①NO. JC2001-0402 DRWN: S.AIHARA '00/11/28 CHK: T.IITO APPR: M.FUKUSHIMA	MATERIAL 材料 SHEET 1 OF 2 参照 REFER TO SHEET 1 OF 2 FINISH 仕上げ //
④NO. DRWN: CHK: APPR:	③NO. DRWN: CHK: APPR:	②NO. DRWN: CHK: APPR:	①NO. JC2001-0604 DRWN: R.SHINA '01/01/30 CHK: T.IITO APPR: M.FUKUSHIMA PROPOSED ①NO. JC2001-0402 DRWN: S.AIHARA '00/11/28 CHK: T.IITO APPR: M.FUKUSHIMA	WIRE RANGE 適用線径範囲 //
④NO. DRWN: CHK: APPR:	③NO. DRWN: CHK: APPR:	②NO. DRWN: CHK: APPR:	①NO. JC2001-0604 DRWN: R.SHINA '01/01/30 CHK: T.IITO APPR: M.FUKUSHIMA PROPOSED ①NO. JC2001-0402 DRWN: S.AIHARA '00/11/28 CHK: T.IITO APPR: M.FUKUSHIMA	INS. RANGE 被覆外径 //

GENERAL TOLERANCES: (UNLESS SPECIFIED) 一般公差		SCALE 1/1	DESIGN UNITS <input checked="" type="checkbox"/> mm <input type="checkbox"/> INCH	PROJECTION <input checked="" type="checkbox"/> FIRST ANGLE <input type="checkbox"/> THIRD ANGLE	REVISIONS <input type="checkbox"/> mm <input type="checkbox"/> INCH <input checked="" type="checkbox"/> mm ONLY	REVISE ON CAD ONLY
10 UNDER 未満	+0.2	DRAWN BY & DATE S.AIHARA '00/11/28		TITLE: 0.5 B-To-B Conn PLUG Assy (Hgt=1.5) Embstp Pkg		
10 OVER 以上 30 UNDER 未満	+0.25	CHECKED BY & DATE T.IITO '01/01/30		APPROVED BY & DATE M.FUKUSHIMA '01/01/30		
30 OVER 以上	+0.3	CAD FILENAME 55560008.S03		MATERIAL NO. SEE CHART		
ANGLE 角度	+3°	DRAWING NO. SD-55560-008		SHEET NO. 3 OF 3		

28865 DRAWING CONTAINS INFORMATION THAT IS PROPRIETARY TO MOLEX INCORPORATED AND SHOULD NOT BE USED WITHOUT WRITTEN PERMISSION.				SIZE B
--	--	--	--	-----------

DO NOT SCALE DRAWING